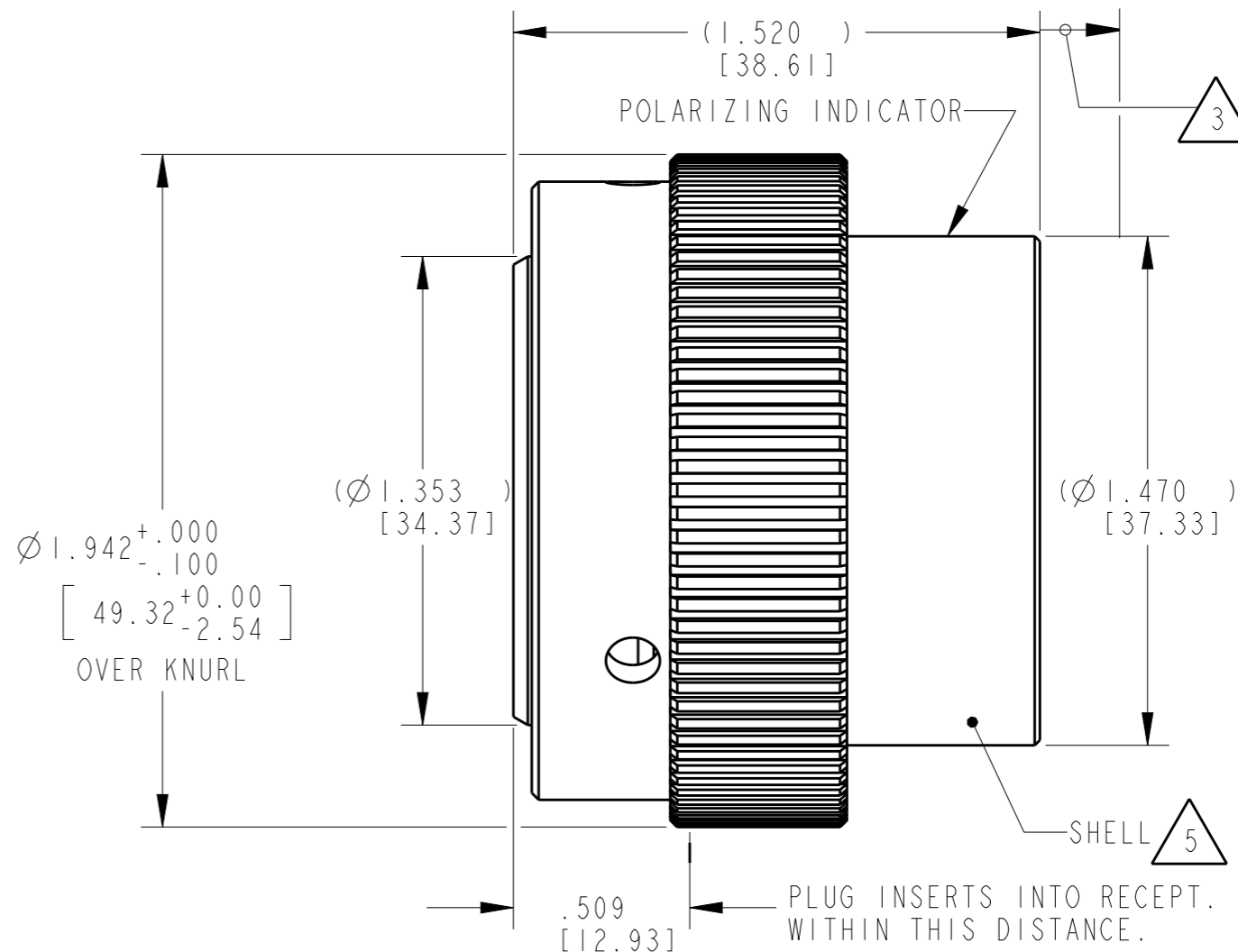
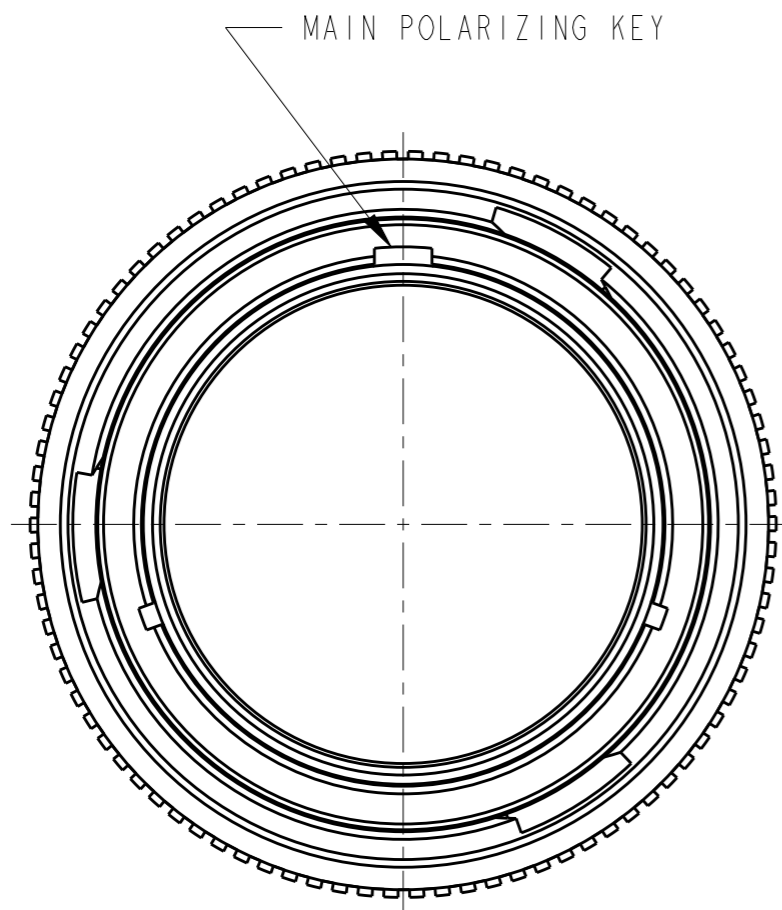


| LOC | DIST | REVISIONS | | | |
|-----|------|-------------|-----------------------------|-----------|-------|
| P | LTR | DESCRIPTION | DATE | DWN | APVD |
| - | - | NC | NEW RELEASE PER E.O. A14915 | 04DEC1995 | - RDR |
| | | A | REVISED PER E.O. P18134 | 23MAY2003 | - RDR |
| | | B | REVISED PER E.O. P18565 | 20SEP2004 | - RDR |
| | | BI | REVISED PER ECO-15-001798 | 12AUG2014 | PV DM |



5. MATERIAL:
 PLUG HOUSING: AL 6000 SERIES
 SHELL MATERIAL: METAL
 INSULATOR : PLASTIC

4. THIS SHELL MATES WITH HD34-24-XXP/SX-XXXX

3. TOTAL DIM. WITH EXTENDED WIRE SEAL (WITH CONTACTS #4 OR #8 ONLY) = 1.750±.050 [44.45±1.27].

2. SEE DRAWING 0425-014-2400 FOR ARRANGEMENT OF CONTACT LOCATION.

1. CONSULT THE FACTORY FOR ELECTRICAL AND MATERIAL SPECIFICATIONS.

NOTES:

| | | | | | | | | | | | | | | | | | | |
|--|--------------|-----------------------------------|--|-------|--------------|--------|----|-------|--------------|-------|----|--------|------------|-------------------------------|------------|----------------|--------------------------------|--------------------|
| THIS DRAWING IS A CONTROLLED DOCUMENT. | | DWN 30OCT2014 VIJETH BHARADWAJ | TE Connectivity | | | | | | | | | | | | | | | |
| DIMENSIONS: INCHES [mm] | | CHK 31OCT2014 I. GRANTCHAROVA | | | | | | | | | | | | | | | | |
| TOLERANCES UNLESS OTHERWISE SPECIFIED: | | APVD 31OCT2014 D. MEYER | NAME PLUG CONNECTOR, SHELL SIZE 24 BAYONET COUPLING HD30 SERIES | | | | | | | | | | | | | | | |
| <table border="0"> <tr><td>0 PLC</td><td>±-</td></tr> <tr><td>1 PLC</td><td>±-</td></tr> <tr><td>2 PLC</td><td>±-</td></tr> <tr><td>3 PLC</td><td>±.01 [±.254]</td></tr> <tr><td>4 PLC</td><td>±-</td></tr> <tr><td>ANGLES</td><td>±0° 30' 0"</td></tr> </table> | | 0 PLC | ±- | 1 PLC | ±- | 2 PLC | ±- | 3 PLC | ±.01 [±.254] | 4 PLC | ±- | ANGLES | ±0° 30' 0" | PRODUCT SPEC 0425-015-0000 | SIZE A3 | CAGE CODE - | DRAWING NO C=HD36-24-XXP/SX | RESTRICTED TO - |
| 0 PLC | ±- | | | | | | | | | | | | | | | | | |
| 1 PLC | ±- | | | | | | | | | | | | | | | | | |
| 2 PLC | ±- | | | | | | | | | | | | | | | | | |
| 3 PLC | ±.01 [±.254] | | | | | | | | | | | | | | | | | |
| 4 PLC | ±- | | | | | | | | | | | | | | | | | |
| ANGLES | ±0° 30' 0" | | | | | | | | | | | | | | | | | |
| MATERIAL SEE NOTE | | FINISH - | SCALE 2:1 | | SHEET 1 OF 1 | REV BI | | | | | | | | | | | | |
| | | Customer Drawing | | | | | | | | | | | | | | | | |